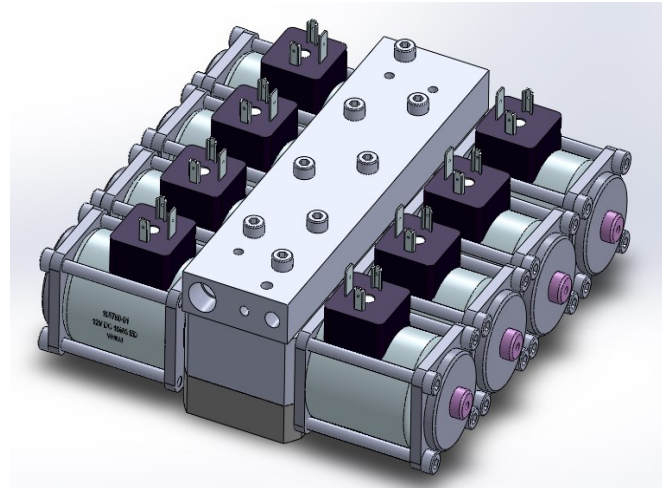
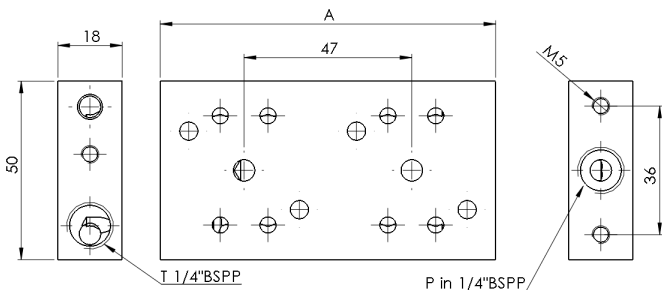


JANUS CONTROL VALVES MANIFOLDS

Available in 1 to 4 stations including with or without additional relief valve porting and produced in 316 stainless steel. The manifolds will accept the 3/2, 4/2 and 4/3 valve configurations in all actuation formations such as solenoid, pilot or manual. Maximum flow rate is 30 l/min without integral relief and 22l/min if a 2M07BXSU is incorporated.

NO. OF STATIONS	1	2	3	4
Dimension A	47	94	141	188

Dimensions



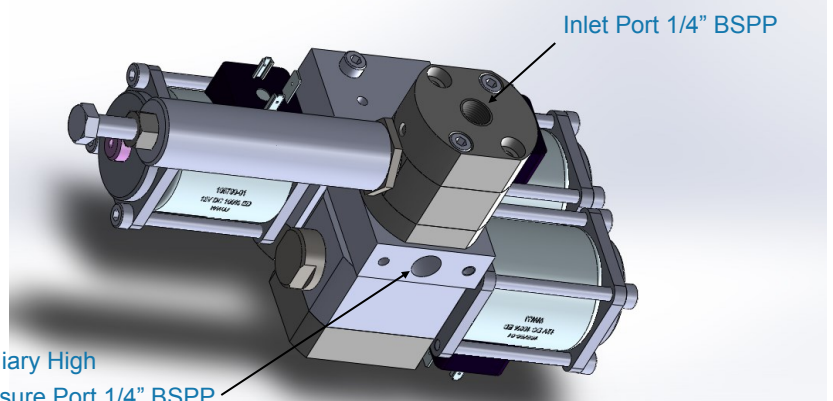
Assembly Layout Example

Consisting of:

- 6manir2: 2 station manifold including relief ports
- 2M07BXSU: DN6 manifold mounted relief valve
- 2M03BBSU: DN6 manifold mounted 3/2 directional control valve.
- 2M06BBSU: DN6 manifold mounted 4/3 directional control valve.

The relief valve has 2 through bolts which fasten through the manifold into the 3/2 valve opposite.

Auxiliary High Pressure Port 1/4" BSPP



ORDERING CODE	1 STATION	2 STATION	3 STATION	4 STATION
STAND ALONE	6MANI1	6MANI2	6MANI3	6MANI4
INCLUDING RELIEF PORTS	6MANIR1	6MANIR2	6MANIR3	6MANIR4